

Long scan

Long scan

Long scan

Long scan

**MECHANISM PARTS LIST**

NOTES : [M] indicates in the Remarks columns indicates parts supplied by MESA.

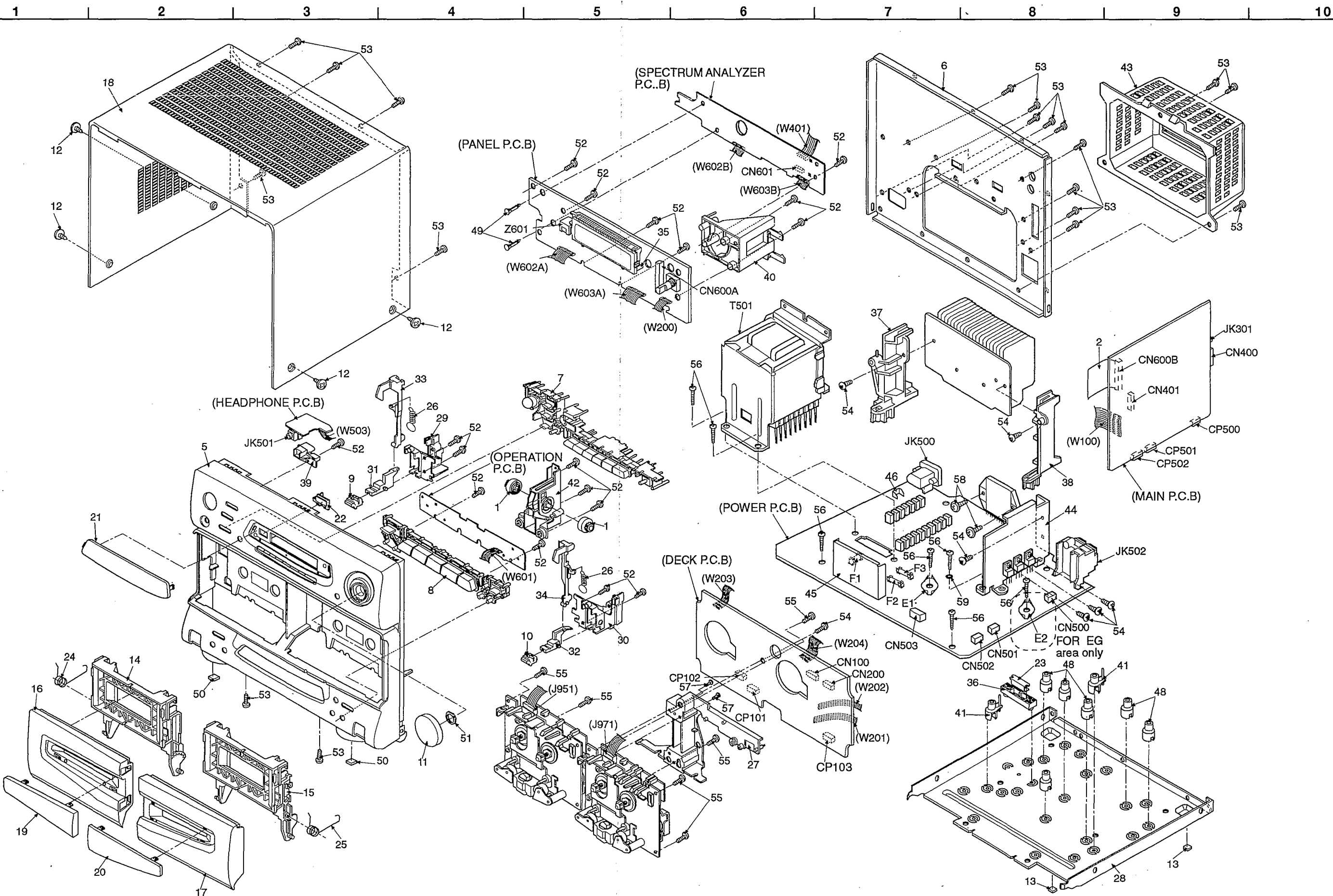
RefNo.	Part No.	Part Name & Description	Remarks
		<b>CASSETTE MECHANISM</b>	
		(DECK 1)	
101	RXQ0292	HEAD BLOCK ASS'Y	
102	RUA793ZF	CHASSIS	
103	RZLAR300A	LEVER ASS'Y	
103A	RUW143ZA	SPRING	
104	IUB0089Z	ARM	
104A	RUW148ZA	SPRING	
105	IDM0018ZB	REEL TABLE ASS'Y	
106	IDM0017ZB	REEL TABLE ASS'Y	
107	RML0069-1	LEVER	
108	RDG5772ZC	GEAR	
109	RUB508ZB	LEVER	
110	RUB506ZB	LEVER	
111	IUB0088ZB	PINCH ROLLER	
111A	RUW141ZA	SPRING	
112	IUB0087ZB	PINCH ROLLER	
112A	RUW140ZB	SPRING	
114	RNL1ZD	ARM	
115	RUB503ZD	LEVER	
116	RZUAR300A	CHASSIS ASS'Y	
117	RUW142ZA	SPRING	
118	RUD105ZA	SPRING	
120	RUW139ZA	SPRING	
121	RFM133ZA	MOTOR ASS'Y	
122	IUE0015ZB	PLUNGER	
123	RUB428ZE	SHAFT	
124	RUL1030YA	PLATE	
125	RMD5014ZC	SPACER	
126	RDG5927ZG	GEAR	
127	IDW0037ZB	FLYWHEEL ASS'Y	
127A	RNW139ZA	WASHER	
128	IDW0038ZB	FLYWHEEL ASS'Y	
128A	RNW138ZA	WASHER	
129	IDG0006ZB	GEAR ASS'Y	
130	RUB513ZD	ARM	
131	IUB0091Z	LEVER	
131A	RUW146ZA	SPRING	
132	IDR0011ZB	PULLEY ASS'Y	
133	RDV90ZB	BELT	
134	RDG5769ZA	GEAR	
135	RUQ111ZB	SPRING	
136	RUW145ZA	SPRING	
137	IUB0090ZA	ROD	
137A	RUB512ZB	ROD	

RefNo.	Part No.	Part Name & Description	Remarks
138	RDG5773ZB	GEAR	
139	RUQ112ZA	SPRING	
140	RUS609ZC	SPRING	
141	RUB514ZC	LEVER	
142	RUW147ZA	SPRING	
143	RUB515ZA	LEVER	
144	RUB509ZA	LEVER	
145	RDV108ZA	BELT	
148	RUW144ZA	SPRING	
149	RHG3032ZA	RUBBER	
150	RNL180ZB	LEVER	
151	REX0450	LEAD WIRE BLOCK (4P)	[M]
161	XTW2+6L	SCREW	
163	XTN26+7J	SCREW	
164	RHE5203ZA	SCREW	
165	XTW2+8S	SCREW	
166	XYC2+JF16	SCREW	
167	RHD26002	SCREW	
168	RJS7T7ZA	CONNECTOR	

RefNo.	Part No.	Part Name & Description	Remarks
		(DECK 2)	
201	RXQ0291	HEAD BLOCK ASS'Y	
202	RUA793ZF	CHASSIS	
203	RZLAR300A	LEVER ASS'Y	
203A	RUW143ZA	SPRING	
204	IUB0089ZA	ARM	
204A	RUW148ZA	SPRING	
205	IDM0018ZB	REEL TABLE ASS'Y	
206	IDM0017ZB	REEL TABLE ASS'Y	
207	RML0069-1	LEVER	
208	RDG5772ZC	GEAR	
209	RUB508ZB	LEVER	
210	RUB506ZB	LEVER	
211	IUB0088ZB	PINCH ROLLER	
211A	RUW141ZA	SPRING	
212	IUB0087ZB	PINCH ROLLER	
212A	RUW140ZB	SPRING	
214	RNL1ZD	ARM	
215	RUB503ZD	LEVER	
216	RZUAR300A	CHASSIS ASS'Y	
217	RUW142ZA	SPRING	
218	RUD105ZA	SPRING	
219	RUW144ZA	SPRING	
220	RUW139ZA	SPRING	
221	RFM133ZA	MOTOR ASS'Y	
222	IUE0015ZB	PLUNGER	
223	RUB428ZE	SHAFT	
224	RUL1030YA	PLATE	
225	RMD5014ZC	SPACER	
226	RDG5927ZG	GEAR	
227	IDW0037ZB	FLYWHEEL ASS'Y	
227A	RNW139ZA	WASHER	
228	IDW0038ZB	FLYWHEEL ASS'Y	
228A	RNW138ZA	WASHER	
229	IDG0006ZB	GEAR ASS'Y	
230	RUB513ZD	LEVER	
231	IUB0091Z	LEVER	
231A	RUW146ZA	SPRING	
232	IDR0011ZB	PULLEY ASS'Y	
233	RDV90ZB	BELT	
234	RDG5769ZA	GEAR	
235	RUQ111ZB	SPRING	
236	RUW145ZA	SPRING	
237	IUB0090ZA	ROD	
237A	RUB512ZB	ROD	

RefNo.	Part No.	Part Name & Description	Remarks
238	RDG5773ZA	GEAR	
239	RUQ112ZA	SPRING	
240	RUS609ZC	SPRING	
241	RUB514ZC	LEVER	
242	RUW147ZA	SPRING	
243	RUB515ZA	LEVER	
244	RUB509ZA	LEVER	
245	RDV108ZA	BELT	
249	RHG3032ZA	RUBBER	
250	RNL180ZB	LEVER	
251	REX0305	LEAD WIRE BLOCK (5P)	[M]
261	XTW2+6L	SCREW	
263	XTN26+7J	SCREW	
264	RHE5203ZA	SCREW	
265	XTW2+8S	SCREW	
266	XYC2+JF16	SCREW	
267	RHD26002	SCREW	
268	RJS10T7ZA	SOCKET (J971)	

CABINET PARTS LOCATION



# REPLACEMENT PARTS LIST

**Notes: \* Important safety notice:**

 Components identified by  $\Delta$  mark have special characteristics important for safety.

Furthermore, special parts which have purposes of fire-retardant (resistors), high-quality sound (capacitors), low noise (resistors), etc are used.

When replacing any of these components, be sure to use only manufacturer's specified parts shown in the parts list.

\* The parenthesized indications in the Remarks columns specify the areas. (Refer to the cover page for area)

Parts without these indications can be used for all areas.

\* [M] Indicates in the Remarks columns indicates parts supplied by MESA.

Ref No.	Part No.	Part Name & Description	Remarks
		<b>CABINET AND CHASSIS</b>	
1	RDG0129	DAMPER GEAR	[M]
2	REE0546	FFC (PANEL-MAIN)	[M]
5	RFKGUCH80PK	FRONT PANEL ASS'Y	[M]
6	RGR0182A-G	REAR PANEL	[M] (E)
6	RGR0182A-H	REAR PANEL	[M] (EB, GN)
6	RGR0182A-J	REAR PANEL	[M] (EG)
7	RGU1005-K	GEQ BUTTON	[M]
8	RGU1006-K	CASSETTE BUTTON	[M]
9	RGU1007-K	EJECT KNOB (L)	[M]
10	RGU1008-K	EJECT KNOB (R)	[M]
11	RGW0194-K	VOL KNOB	[M]
12	RHD30007	SCREW	
13	RKA0059-K	LEG RUBBER	[M]
14	RFKLACH455P3	CASS HOLDER ASS'Y L	[M]
15	RFKLACH455P4	CASS HOLDER ASS'Y R	[M]
16	RKF0355-K	CASSETTE LID (L)	[M]
17	RKF0356-K	CASSETTE LID (R)	[M]
18	RKM0247Z-K	CABINET	[M]
19	RKW0321-Q	CASSETTE WINDOW (L)	[M]
20	RKW0322-Q	CASSETTE WINDOW (R)	[M]
21	RKW0323-Q	FL WINDOW	[M]
22	RKW0324-Q	SENSOR FILTER	[M]
23	RMA0678	TRANS SUPPORT ANGLE	[M]
24	RMB0293	OPEN SPRING (L)	[M]
25	RMB0294	OPEN SPRING (R)	[M]
26	RMB0295	EJECT SPRING	[M]
27	RMK0059-1E	CASSETTE PCB SUPPORT	[M]
28	RMK0199	BOTTOM CHASSIS	[M]
29	RML0301	EJECT LEVER STAND L	[M]
30	RML0302	EJECT LEVER STAND R	[M]
31	RML0303	EJECT LEVER (L)	[M]
32	RML0304	EJECT LEVER (R)	[M]
33	RMM0102	EJECT ROD (L)	[M]
34	RMM0103	EJECT ROD (R)	[M]
35	RMN0253	FL HOLDER	[M]
36	RMR0651-K	TRANS SUPPORT	[M]
37	RMR0653-K	HEAT SINK SUPPORT L	[M]
38	RMR0654-K	HEAT SINK SUPPORT R	[M]

Ref No.	Part No.	Part Name & Description	Remarks
39	RMR0730-X	HP JACK HOLDER	[M]
40	RMR0731-X	MAIN PCB SUPPORT	[M]
41	RMR0741-X	PCB SUPPORT (PIN)	[M]
42	RMS0401	DAMPER GEAR HOLDER	[M]
43	RMV0058	HEAT SINK COVER	[M]
44	RMV0116	SUB HEAT SINK	[M]
45	RSC0311	SHIELD PLATE	[M]
46	RSC0332	PROTECTION PLATE	[M]
48	SHE187-3	PCB SUPPORT	
49	SHR8005	PCB SUPPORT	
50	SHS3276	LEG FELT	[M]
51	XNS9D	NUT	
52	XTBS26+10J	SCREW	
53	XTBS3+8JFZ1	SCREW	
54	XTB3+12CFN	SCREW	
55	XTB3+12JFR	SCREW	
56	XTB3+20J	SCREW	
57	XTV26+6F	SCREW	
58	XTW3+15T	SCREW	
59	XWA3B	SPRING WASHER	
		<b>INTEGRATED CIRCUITS</b>	
IC101	M51167BFP-E1	IC, R/P	
IC102	BA7755A	IC, SW	
IC103	CXA1102M-T4	IC, DOLBY	
IC104	BU4066BF-E2	IC, ANALOG SW	
IC105	BU2040F-E2	IC, I/O	[M]
IC301	UPD4052BG-E2	IC, ANALOG SW	[M]
IC302	M62408FP	IC, AUDIO	
IC305	BA4558FDXE2	IC, OP AMP	[M]
IC306	BA4558FDXE2	IC, OP AMP	[M]
IC501	SVI3101D	IC, HIC	$\Delta$
IC601	M38173M6272	IC, UCOM	[M]
IC602	BA4558FDXE2	IC, OP AMP	[M]
IC603	LA5608M-TE-L	IC, RESET	
IC604	BA4558FDXE2	IC, OP AMP	[M]
IC605	BU4066BF-E2	IC, ANALOG SW	
IC606	BA4558FDXE2	IC, OP AMP	[M]
IC607	BA4558FDXE2	IC, OP AMP	[M]

RefNo.	Part No.	Part Name & Description	Remarks	RefNo.	Part No.	Part Name & Description	Remarks
IC951	DN6851ALB	IC, HALL (DK1)		Q311	2SC1740SSTA	TRANSISTOR	
IC971	DN6851ALB	IC, HALL (DK2)		Q312	RVTDTA124EST	TRANSISTOR	
				Q313	RVTDTC124EST	TRANSISTOR	[M]
		<b>TRANSISTORS</b>		Q315	2SC1740SLNST	TRANSISTOR	
Q101	2SJ40CDTA	TRANSISTOR		Q316	2SC1740SLNST	TRANSISTOR	
Q102	2SJ40CDTA	TRANSISTOR		Q317	2SJ40CTA	TRANSISTOR	
Q103	2SJ40CDTA	TRANSISTOR		Q318	2SJ40CTA	TRANSISTOR	
Q104	2SJ40CDTA	TRANSISTOR		Q319	2SK381CTA	TRANSISTOR	
Q105	RVTDTC144TST	TRANSISTOR		Q320	2SK381CTA	TRANSISTOR	
Q106	RVTDTC144TST	TRANSISTOR		Q321	2SC1740SSTA	TRANSISTOR	
Q107	RVTDTC144TST	TRANSISTOR		Q322	2SC1740SSTA	TRANSISTOR	
Q108	RVTDTC144TST	TRANSISTOR		Q323	2SC1740SSTA	TRANSISTOR	
Q109	RVTDTC144TST	TRANSISTOR		Q324	2SC1740SSTA	TRANSISTOR	
Q110	RVTDTC144TST	TRANSISTOR		Q325	RVTDTA114TST	TRANSISTOR	
Q115	2SD1020HTA	TRANSISTOR	[M]	Q326	RVTDTA114TST	TRANSISTOR	
Q116	2SD1020HTA	TRANSISTOR	[M]	Q327	RVTDTA124EST	TRANSISTOR	
Q117	RVIDTC144EST	TRANSISTOR		Q328	RVTDTC124EST	TRANSISTOR	[M]
Q151	RVTDTC144TST	TRANSISTOR		Q500	2SA933SSTA	TRANSISTOR	
Q152	RVTDTC144TST	TRANSISTOR		Q503	2SD2037ETA	TRANSISTOR	[M]
Q153	2SC1740SLNET	TRANSISTOR		Q505	2SD1762E	TRANSISTOR	[M] $\Delta$
Q154	2SC1740SLNET	TRANSISTOR		Q506	2SB1185E	TRANSISTOR	$\Delta$
Q171	2SD1450STA	TRANSISTOR		Q507	2SD1273P	TRANSISTOR	$\Delta$
Q173	RVIDTC144TST	TRANSISTOR		Q508	2SB621ARTA	TRANSISTOR	
Q174	2SC1740SSTA	TRANSISTOR		Q509	2SC2785FTA	TRANSISTOR	$\Delta$
Q175	2SD1450STA	TRANSISTOR		Q510	2SA564RTA	TRANSISTOR	
Q176	2SD1450STA	TRANSISTOR		Q511	2SD1762E	TRANSISTOR	[M] $\Delta$
Q179	2SC2784FTA	TRANSISTOR	[M]	Q512	2SC1740SSTA	TRANSISTOR	
Q180	2SC2784FTA	TRANSISTOR	[M]	Q513	2SC1740SSTA	TRANSISTOR	
Q201	2SD965RTA	TRANSISTOR		Q601	2SC1740SSTA	TRANSISTOR	
Q202	2SK301QTA	TRANSISTOR	[M]	Q602	2SC1740SSTA	TRANSISTOR	
Q203	2SD965RTA	TRANSISTOR				<b>DIODES</b>	
Q204	2SK301QTA	TRANSISTOR	[M]	D171	RVD1SS133TA	DIODE	
Q205	RVTDTC144TST	TRANSISTOR		D172	RVDMTZ4R7BTA	DIODE	
Q206	2SB621RTA	TRANSISTOR		D173	RVD1SS133TA	DIODE	
Q207	2SB621RTA	TRANSISTOR		D174	RVDMTZ3R6BTA	DIODE	[M]
Q208	RVTDTC114TST	TRANSISTOR		D301	RVD1SS133TA	DIODE	
Q209	RVTDTC114TST	TRANSISTOR		D302	RVD1SS133TA	DIODE	
Q218	RVIDTA114EST	TRANSISTOR		D303	RVD1SS133TA	DIODE	
Q219	RVTDTA143XST	TRANSISTOR		D305	RVDMTZ8R2CTA	DIODE	[M]
Q220	RVTDTA143XST	TRANSISTOR		D306	RVD1SS133TA	DIODE	
Q300	RVTDTA144TST	TRANSISTOR		D307	RVD1SS133TA	DIODE	
Q301	2SC1740SSTA	TRANSISTOR		D308	RVD1SS133TA	DIODE	
Q302	2SC1740SSTA	TRANSISTOR		D309	RVDMTZ6R8BTA	DIODE	
Q307	2SD1020HTA	TRANSISTOR	[M]	D311	MA29WATA	DIODE	
Q308	2SD1020HTA	TRANSISTOR	[M]	D312	MA29WATA	DIODE	
Q309	2SC1740SSTA	TRANSISTOR		D500	RVD1SS133TA	DIODE	
Q310	2SC1740SSTA	TRANSISTOR					

RefNo.	Part No.	Part Name & Description	Remarks
D501	RVD1SS133TA	DIODE	
D502	RVDMTZ6R8ATA	DIODE	[M]
D503	1D3E	DIODE	[M] ▲
D504	1D3E	DIODE	[M] ▲
D505	RVDMTZ6R2ATA	DIODE	[M]
D507	RVDMTZ15CTA	DIODE	[M]
D508	RVDMTZ8R2CTA	DIODE	[M]
D509	1D3E	DIODE	[M] ▲
D510	1D3E	DIODE	[M] ▲
D511	1N5402BM21	DIODE	▲
D512	1N5402BM21	DIODE	▲
D513	1N5402BM21	DIODE	▲
D514	1N5402BM21	DIODE	▲
D516	RVDMTZ15CTA	DIODE	[M] ▲
D517	1D3E	DIODE	[M] ▲
D518	MA4300HTA	DIODE	▲
D519	RVDMTZ5R1BTA	DIODE	
D520	RVDMTZ10BTA	DIODE	▲
D601	RVD1SS133TA	DIODE	
D602	RVDMTZ4R7BTA	DIODE	
D603	RVD1SS133TA	DIODE	
D604	RVD1SS133TA	DIODE	
D605	RVD1SS133TA	DIODE	
D606	RVD1SS133TA	DIODE	
D607	RVD1SS133TA	DIODE	
D608	RVD1SS133TA	DIODE	
D610	1SS291TA	DIODE	
D611	RVD1SS133TA	DIODE	
D612	RVD1SS133TA	DIODE	
D613	RVD1SS133TA	DIODE	
D614	RVD1SS133TA	DIODE	
D615	RVD1SS133TA	DIODE	
D616	RVD1SS133TA	DIODE	
D617	RVD1SS133TA	DIODE	
D621	RVD1SS133TA	DIODE	
D622	RVD1SS133TA	DIODE	
D629	RVD1SS133TA	DIODE	
D630	RVD1SS133TA	DIODE	
D951	RVD1SS133TA	DIODE (DK1)	
D971	RVD1SS133TA	DIODE (DK2)	
		<b>VARIABLE RESISTORS</b>	
VR101	RVNCC24B1T-A	VR, DK1 Lch (GAIN)	
VR102	RVNCC24B1T-A	VR, DK1 Rch (GAIN)	
VR103	RVNCC24B1T-A	VR, DK2 Lch (GAIN)	
VR104	RVNCC24B1T-A	VR, DK2 Rch (GAIN)	
VR201	RVNCC73B1T-A	VR, DK1 TPE SPD(NOR)	

RefNo.	Part No.	Part Name & Description	Remarks
VR202	RVNCC24B1T-A	VR, DK2 TPE SPD(NOR)	
VR203	RVNCC14B1T-A	VR, DK2 TPE SPD(HI)	
VR601	RRV16B24104A	VR, JOG	[M]
		<b>SWITCHES</b>	
S601	EVQ21405R	SW, TAPE EDIT(NOR)	
S602	EVQ21405R	SW, TAPE EDIT(HI)	
S603	EVQ21405R	SW, DECK 1/2	
S604	EVQ21405R	SW, REC PAUSE	
S605	EVQ21405R	SW, REW (TPS)	
S606	EVQ21405R	SW, REV PLAY	
S607	EVQ21405R	SW, FWD PLAY	
S608	EVQ21405R	SW, FF (TPS)	
S609	EVQ21405R	SW, STOP	
S610	EVQ21405R	SW, REVERSE MODE	
S611	EVQ21405R	SW, DOLBY NR	
S612	EVQ21405R	SW, COUNTER RESET	
S613	EVQ21405R	SW, POWER	
S614	EVQ21405R	SW, V BASS	
S615	EVQ21405R	SW, TIME/EFFECT DWN	
S616	EVQ21405R	SW, TIME/EFFECT UP	
S617	EVQ21405R	SW, REC TIMER	
S618	EVQ21405R	SW, PLAY TIMER	
S619	EVQ21405R	SW, CLOCK/TIMER	
S620	EVQ21405R	SW, SET	
S621	EVQ21405R	SW, EQ ON/FLAT	
S622	EVQ21405R	SW, EQ MODE	
S623	EVQ21405R	SW, SPACE MODE	
S624	EVQ21405R	SW, DISPLAY	
S951	RSH1A89ZD-U	SW, MODE DETECT DK1	
S952	RSH1A90YD-U	SW, TAPE DETECT DK1	
S953	RSH1A90YD-U	SW, CROS DETECT DK1	
S971	RSH1A89ZD-U	SW, MODE DETECT DK2	
S972	RSH1A90YD-U	SW, TAPE DETECT DK2	
S973	RSH1A90YD-U	SW, TAB DETECT DK2	
S974	RSH1A90YD-U	SW, TAB DETECT DK2	
S975	RSH1A90YD-U	SW, CRO2 DETECT DK2	
		<b>CONNECTORS</b>	
CN100	RJS10T4ZA	CONNECTOR (10P)	
CN200	RJS8T4ZA	CONNECTOR (8P)	
CN400	RJT065K15	CONNECTOR (15P)	
CN401	RJS1A5206	CONNECTOR (6P)	[M]
CN500	SJS50778JQ	CONNECTOR (7P)	
CN501	SJS50778JQ	CONNECTOR (7P)	
CN502	SJS50778JQ	CONNECTOR (7P)	

Ref No.	Part No.	Part Name & Description	Remarks	Ref No.	Part No.	Part Name & Description	Remarks
CN503	RJS1A5205	CONNECTOR (5P)	[M]			<b>COMPONENT COMBINATIONS</b>	
CN510	RJS1A1101T1	CONNECTOR (1P)					
CN511	RJS1A1101T1	CONNECTOR (1P)		Z101	EXBF6L306SYV	BLOCK RESISTOR	
CN512	RJS1A1101T1	CONNECTOR (1P)		Z102	EXBF6L306SYV	BLOCK RESISTOR	
CN513	RJS1A1101T1	CONNECTOR (1P)		Z103	EXBF6L306SYV	BLOCK RESISTOR	
CN520	RJS1A1101T1	CONNECTOR (1P)		Z501	BL02RN2R65T2	BEAD CORE	(EG)
CN521	RJS1A1101T1	CONNECTOR (1P)		Z502	BL02RN2R65T2	BEAD CORE	(EG)
CN522	RJS1A1101T1	CONNECTOR (1P)		Z503	BL02RN2R65T2	BEAD CORE	(EG)
CN523	RJS1A1101T1	CONNECTOR (1P)		Z601	RCDHC-278N	REMO-CON SENSOR	
CN524	RJS1A1101T1	CONNECTOR (1P)				<b>OSCILLATORS</b>	
CN525	RJS1A1101T1	CONNECTOR (1P)					
CN526	RJS1A1101T1	CONNECTOR (1P)		X601	RSXZ4M19M01T	4.19MHZ X'TAL	
CN527	RJS1A1101T1	CONNECTOR (1P)		X602	RSXD32K7S02	32.768KHZ X'TAL	[M]
CN528	RJS1A1101T1	CONNECTOR (1P)				<b>DISPLAY TUBE</b>	
CN529	RJS1A1101T1	CONNECTOR (1P)					
CN600A	RJS1A6223-1	CONNECTOR (23P)		FL601	RSL0164-F	FL METER	[M]
CN600B	RJS1A6823	CONNECTOR (23P)				<b>FUSES</b>	
CN601	RJS1A5207	CONNECTOR (7P)					
CP101	RJP5G18ZA	CONNECTOR (5P)		F1	XBA2C10TB0	FUSE	⚠
CP102	RJP4G18ZA	CONNECTOR (4P)		F2	XBA2C08TB0	FUSE	⚠
CP103	RJP3G1ZA	CONNECTOR (3P)		F3	XBA2C08TB0	FUSE	⚠
CP500	RJP7G9YA	CONNECTOR (7P)	[M]			<b>FUSE CLIPS</b>	
CP501	RJP7G9YA	CONNECTOR (7P)	[M]				
CP502	RJP7G9YA	CONNECTOR (7P)	[M]	FC1	EYF52BC	FUSE HOLDER	
J951	RJS7T7ZA	CONNECTOR (DK1-7P)		FC2	EYF52BC	FUSE HOLDER	
J971	RJS10T7ZA	CONNECTOR (DK2-10P)		FC3	EYF52BC	FUSE HOLDER	
		<b>EARTH TERMINALS</b>		FC4	EYF52BC	FUSE HOLDER	
				FC5	EYF52BC	FUSE HOLDER	
E1	SNE1004-1	EARTH PLATE		FC6	EYF52BC	FUSE HOLDER	
E2	SNE1004-1	EARTH PLATE	(EG)			<b>RELAYS</b>	
		<b>COILS &amp; TRANSFORMERS</b>					
				RLY501	RSY0013-0	RELAY	⚠
L103	RLE2B001-1M	TRAP COIL	[M]	RLY502	RSY0013-0	RELAY	⚠
L104	RLE2B001-1M	TRAP COIL	[M]			<b>JACKS</b>	
L201	RL08C002M-T	BIAS OSC COIL					
L202	RLQZB470KT-D	RF CHOKE COIL		JK301	RJH3209N	JK, RCA	[M]
L300	RLQZPR47KT-Y	AXIAL COIL		JK500	SJS9236	JK, AC INLET	(E, EB, EG) ⚠
L500	SLQZ650MH49	AC LINE COIL	⚠	JK500	SJSD16	JK, AC INLET	(GN) ⚠
L501	SLQY07G-40	SP COIL		JK501	RJJ37TK01-C	JK, HP	[M]
L502	SLQY07G-40	SP COIL		JK502	RJR0054	JK, SP TERMINAL	
L601	RLQZP3R3KT-Y	AXIAL COIL					
T501	RTP1M3B005	TRANSFORMER	[M] ⚠				

# RESISTORS & CAPACITORS

Notes : \* Capacitor values are in microfarads ( $\mu\text{F}$ ) unless specified otherwise, P=Pico-farads (pF), F=Farads.  
 \* Resistance values are in ohms, unless specified otherwise, 1K=1,000 (OHM).  
 \* Bracketed indications in Ref. No. columns specify the area (Refer to the first page for area).  
 Parts without these indications can be used for all areas.  
 \* [M] Indicates in the values & remarks column indicates parts supplied by MESA

Ref. No.	Part No.	Values & Remarks	Ref. No.	Part No.	Values & Remarks	Ref. No.	Part No.	Values & Remarks
		<b>RESISTORS</b>						
R101	ERD25TJ334T	330K 1/4W	R158	ERDS2TJ221T	220 1/4W	R232	ERDS2TJ222T	2.2K 1/4W
R102	ERDS2TJ104T	100K 1/4W	R159	ERDS2TJ222T	2.2K 1/4W	R233	ERD25TJ222T	2.2K 1/4W
R103	ERDS2TJ153T	15K 1/4W	R160	ERDS2TJ222T	2.2K 1/4W	R234	ERDS2TJ472T	4.7K 1/4W
R104	ERDS2TJ153T	15K 1/4W	R161	ERDS2TJ472T	4.7K 1/4W	R235	ERDS2TJ104T	100K 1/4W
R105	ERDS2TJ271T	270 1/4W	R162	ERDS2TJ472T	4.7K 1/4W	R236	ERDS2TJ104T	100K 1/4W
R106	ERD25TJ222T	2.2K 1/4W	R163	ERDS2TJ433T	43K 1/4W	R300	ERDS2TJ102T	1K 1/4W
R107	ERDS2TJ330T	33 1/4W	R169	ERDS2TJ102T	1K 1/4W	R301	ERDS2TJ183T	18K 1/4W
R108	ERDS2TJ330T	33 1/4W	R170	ERDS2TJ102T	1K 1/4W	R302	ERDS2TJ183T	18K 1/4W
R109	ERDS2TJ392T	3.9K 1/4W	R172	ERDS2TJ331T	330 1/4W	R303	ERDS2TJ223T	22K 1/4W
R110	ERDS2TJ392T	3.9K 1/4W	R173	ERDS2TJ103T	10K 1/4W	R304	ERDS2TJ223T	22K 1/4W
R111	ERDS2TJ222T	2.2K 1/4W	R174	ERDS2TJ103T	10K 1/4W	R305	ERDS2TJ472T	4.7K 1/4W
R112	ERDS2TJ222T	2.2K 1/4W	R176	ERDS2TJ103T	10K 1/4W	R306	ERDS2TJ472T	4.7K 1/4W
R113	ERDS2TJ122T	1.2K 1/4W	R177	ERDS2TJ682T	6.8K 1/4W	R307	ERDS2TJ102T	1K 1/4W
R114	ERDS2TJ122T	1.2K 1/4W	R178	ERDS2TJ1R2T	1.2 1/4W	R308	ERDS2TJ102T	1K 1/4W
R115	ERDS2TJ225T	2.2M 1/4W	R179	ERDS2TJ472T	4.7K 1/4W	R309	ERDS2TJ182T	1.8K 1/4W
R116	ERDS2TJ225T	2.2M 1/4W	R180	ERDS2TJ472T	4.7K 1/4W	R310	ERDS2TJ182T	1.8K 1/4W
R117	ERDS2TJ105T	1M 1/4W	R181	ERD25TJ332T	3.3K 1/4W	R311	ERDS2TJ273T	27K 1/4W
R118	ERDS2TJ105T	1M 1/4W	R182	ERDS2TJ1R0T	1 1/4W	R312	ERDS2TJ273T	27K 1/4W
R121	ERDS2TJ124T	120K 1/4W	R183	ERDS2TJ104T	100K 1/4W	R313	ERDS2TJ332T	3.3K 1/4W
R122	ERDS2TJ124T	120K 1/4W	R184	ERDS2TJ104T	100K 1/4W	R314	ERDS2TJ332T	3.3K 1/4W
R123	ERDS2TJ473T	47K 1/4W	R185	ERDS2TJ104T	100K 1/4W	R315	ERDS2TJ822T	8.2K 1/4W
R124	ERDS2TJ473T	47K 1/4W	R186	ERDS2TJ102T	1K 1/4W	R316	ERDS2TJ822T	8.2K 1/4W
R125	ERDS2TJ472T	4.7K 1/4W	R188	ERDS2TJ102T	1K 1/4W	R317	ERDS2TJ332T	3.3K 1/4W
R126	ERDS2TJ472T	4.7K 1/4W	R189	ERDS2TJ472T	4.7K 1/4W	R318	ERDS2TJ332T	3.3K 1/4W
R127	ERDS2TJ392T	3.9K 1/4W	R200	ERDS2TJ221T	220 1/4W	R319	ERDS2TJ821T	820 1/4W
R128	ERDS2TJ392T	3.9K 1/4W	R201	ERDS2TJ2R7T	2.7 1/4W	R320	ERDS2TJ821T	820 1/4W
R131	ERDS2TJ823T	82K 1/4W	R202	ERDS2TJ562T	5.6K 1/4W	R321	ERDS2TJ682T	6.8K 1/4W
R132	ERDS2TJ335T	3.3M 1/4W	R203	ERDS2TJ153T	15K 1/4W	R322	ERDS2TJ682T	6.8K 1/4W
R133	ERDS2TJ332T	3.3K 1/4W	R204	ERDS2TJ123T	12K 1/4W	R329	ERDS2TJ332T	3.3K 1/4W
R134	ERDS2TJ474T	470K 1/4W	R205	ERDS2TJ334T	330K 1/4W	R330	ERDS2TJ332T	3.3K 1/4W
R137	ERD25TJ103T	10K 1/4W	R206	ERDS2TJ221T	220 1/4W	R331	ERDS2TJ105T	1M 1/4W
R138	ERD25TJ103T	10K 1/4W	R207	ERDS2TJ2R7T	2.7 1/4W	R332	ERDS2TJ105T	1M 1/4W
R139	ERDS2TJ103T	10K 1/4W	R208	ERDS2TJ123T	12K 1/4W	R333	ERDS2TJ272T	2.7K 1/4W
R141	ERDS2TJ682T	6.8K 1/4W	R209	ERDS2TJ123T	12K 1/4W	R334	ERDS2TJ272T	2.7K 1/4W
R142	ERDS2TJ682T	6.8K 1/4W	R210	ERDS2TJ272T	2.7K 1/4W	R335	ERDS2TJ123T	12K 1/4W
R145	ERDS2TJ103T	10K 1/4W	R211	ERDS2TJ334T	330K 1/4W	R336	ERDS2TJ123T	12K 1/4W
R146	ERDS2TJ103T	10K 1/4W	R212	ERDS2TJ123T	12K 1/4W	R337	ERDS2TJ223T	22K 1/4W
R149	ERDS2TJ272T	2.7K 1/4W	R213	ERDS2TJ152T	1.5K 1/4W	R338	ERDS2TJ223T	22K 1/4W
R150	ERDS2TJ272T	2.7K 1/4W	R220	ERDS2TJ472T	4.7K 1/4W	R339	ERDS2TJ102T	1K 1/4W
R151	ERDS2TJ105T	1M 1/4W	R221	ERDS2TJ2R7T	2.7 1/4W	R340	ERDS2TJ102T	1K 1/4W
R152	ERDS2TJ105T	1M 1/4W	R225	ERDS2TJ2R7T	2.7 1/4W	R341	ERDS2TJ153T	15K 1/4W
R153	ERDS2TJ102T	1K 1/4W	R226	ERDS2TJ102T	1K 1/4W	R342	ERDS2TJ153T	15K 1/4W
R154	ERDS2TJ102T	1K 1/4W	R227	ERDS2TJ102T	1K 1/4W	R343	ERDS2TJ824T	820K 1/4W
R155	ERDS2TJ221T	220 1/4W	R228	ERDS2TJ472T	4.7K 1/4W	R344	ERDS2TJ332T	3.3K 1/4W
R156	ERDS2TJ221T	220 1/4W	R229	ERDS2TJ103T	10K 1/4W	R345	ERDS2TJ822T	8.2K 1/4W
			R230	ERDS2TJ472T	4.7K 1/4W	R346	ERDS2TJ222T	2.2K 1/4W
			R231	ERDS2TJ472T	4.7K 1/4W	R347	ERDS2TJ183T	18K 1/4W



Ref. No.	Part No.	Values & Remarks	Ref. No.	Part No.	Values & Remarks	Ref. No.	Part No.	Values & Remarks
R348	ERDS2TJ103T	10K 1/4W	R423	ERDS2TJ102T	1K 1/4W	R541	ERDS2TJ820T	82 1/4W
R351	ERDS2TJ273T	27K 1/4W	R424	ERDS2TJ102T	1K 1/4W	R542	ERDS2TJ820T	82 1/4W
R352	ERDS2TJ273T	27K 1/4W	R425	ERDS2TJ105T	1M 1/4W	R543	ERDS2TJ820T	82 1/4W
R357	ERDS2TJ103T	10K 1/4W	R426	ERDS2TJ105T	1M 1/4W	R545	ERDS1FVJ4R7T	4.7 1/2W
R361	ERDS2TJ104T	100K 1/4W	R427	ERDS2TJ105T	1M 1/4W	R546	ERDS1FVJ4R7T	4.7 1/2W
R362	ERDS2TJ104T	100K 1/4W	R428	ERDS2TJ105T	1M 1/4W	R548	ERDS2TJ102T	1K 1/4W
R363	ERDS2TJ102T	1K 1/4W	R432	ERDS2TJ473T	47K 1/4W	R549	ERDS2TJ151T	150 1/4W
R364	ERDS2TJ102T	1K 1/4W	R435	ERDS2TJ152T	1.5K 1/4W	R550	ERDS2TJ681T	680 1/4W
R365	ERDS2TJ222T	2.2K 1/4W	R436	ERDS2TJ152T	1.5K 1/4W	R551	ERDS1FVJ330T	33 1/2W ▲
R366	ERDS2TJ222T	2.2K 1/4W	R437	ERDS2TJ225T	2.2M 1/4W	R552	ERDS1FVJ330T	33 1/2W ▲
R369	ERDS2TJ682T	6.8K 1/4W	R438	ERDS2TJ225T	2.2M 1/4W	R554	ERDS2TJ471T	470 1/4W
R370	ERDS2TJ682T	6.8K 1/4W	R439	ERDS2TJ225T	2.2M 1/4W	R555	ERDS2TJ152T	1.5K 1/4W
R371	ERDS2TJ332T	3.3K 1/4W	R440	ERDS2TJ225T	2.2M 1/4W	R556	ERD2FCVJ4R7T	4.7 1/4W
R372	ERDS2TJ332T	3.3K 1/4W	R441	ERDS2TJ102T	1K 1/4W	R557	ERDS1FVJ390T	39 1/2W ▲
R373	ERDS2TJ102T	1K 1/4W	R442	ERDS2TJ102T	1K 1/4W	R559	ERDS1FVJ3R3T	3.3 1/2W ▲
R374	ERDS2TJ102T	1K 1/4W	R443	ERDS2TJ101T	100 1/4W	R561	ERD2FCVG220T	22 1/4W ▲
R381	ERDS2TJ222T	2.2K 1/4W	R444	ERDS2TJ101T	100 1/4W	R562	ERDS2TJ151T	150 1/4W
R382	ERDS1FVJ680T	68 1/2W	R501	ERDS2TJ102T	1K 1/4W	R563	ERDS2TJ823T	82K 1/4W
R383	ERDS2TJ222T	2.2K 1/4W	R502	ERDS2TJ102T	1K 1/4W	R564	ERDS2TJ124T	120K 1/4W
R384	ERDS2TJ151T	150 1/4W	R503	ERDS2TJ332T	3.3K 1/4W	R565	ERDS2TJ563T	56K 1/4W
R385	ERDS2TJ105T	1M 1/4W	R504	ERDS2TJ332T	3.3K 1/4W	R601	ERDS2TJ101T	100 1/4W
R386	ERDS2TJ105T	1M 1/4W	R505	ERDS2TJ104T	100K 1/4W	R602	ERDS2TJ101T	100 1/4W
R387	ERDS2TJ100T	10 1/4W	R506	ERDS2TJ104T	100K 1/4W	R603	ERDS2TJ104T	100K 1/4W
R388	ERDS2TJ103T	10K 1/4W	R507	ERDS2TJ104T	100K 1/4W	R604	ERDS2TJ561T	560 1/4W
R389	ERDS2TJ102T	1K 1/4W	R508	ERDS2TJ104T	100K 1/4W	R605	ERDS2TJ104T	100K 1/4W
R390	ERDS2TJ102T	1K 1/4W	R509	ERD25FVJ470T	47 1/4W	R607	ERDS2TJ473T	47K 1/4W
R391	ERDS2TJ153T	15K 1/4W	R510	ERDS1FVJ222T	2.2K 1/2W ▲	R608	ERDS2TJ473T	47K 1/4W
R392	ERDS2TJ153T	15K 1/4W	R511	ERDS2TJ563T	56K 1/4W	R611	ERDS2TJ104T	100K 1/4W
R393	ERDS2TJ104T	100K 1/4W	R512	ERDS2TJ103T	10K 1/4W	R612	ERDS2TJ102T	1K 1/4W
R394	ERDS2TJ104T	100K 1/4W	R513	ERD25FVJ820T	82 1/4W	R613	ERDS2TJ102T	1K 1/4W
R395	ERDS2TJ682T	6.8K 1/4W	R514	ERDS2TJ221T	220 1/4W	R614	ERDS2TJ102T	1K 1/4W
R396	ERDS2TJ682T	6.8K 1/4W	R515	ERDS1FVJ100T	10 1/2W ▲	R615	ERDS2TJ102T	1K 1/4W
R397	ERDS2TJ152T	1.5K 1/4W	R516	ERDS1FVJ100T	10 1/2W ▲	R616	ERDS2TJ102T	1K 1/4W
R398	ERDS2TJ152T	1.5K 1/4W	R517	ERDS2TJ100T	10 1/4W	R617	ERDS2TJ102T	1K 1/4W
R399	ERDS2TJ823T	82K 1/4W	R518	ERDS2TJ100T	10 1/4W	R618	ERDS2TJ102T	1K 1/4W
R400	ERDS2TJ823T	82K 1/4W	R519	ERDS2TJ334T	330K 1/4W	R619	ERDS2TJ104T	100K 1/4W
R401	ERDS2TJ224T	220K 1/4W	R520	ERDS2TJ820T	82 1/4W	R620	ERDS2TJ104T	100K 1/4W
R402	ERDS2TJ224T	220K 1/4W	R521	ERDS1FVJ330T	33 1/2W ▲	R621	ERDS2TJ104T	100K 1/4W
R403	ERDS2TJ223T	22K 1/4W	R522	ERDS1FVJ330T	33 1/2W ▲	R622	ERDS2TJ104T	100K 1/4W
R404	ERDS2TJ223T	22K 1/4W	R523	ERDS1FVJ272T	2.7K 1/2W ▲	R623	ERDS2TJ472T	4.7K 1/4W
R405	ERDS2TJ123T	12K 1/4W	R524	ERDS1FVJ330T	33 1/2W ▲	R624	ERDS2TJ472T	4.7K 1/4W
R406	ERDS2TJ123T	12K 1/4W	R525	ERDS2TJ103T	10K 1/4W	R625	ERDS2TJ681T	680 1/4W
R407	ERDS2TJ223T	22K 1/4W	R526	ERDS2TJ151T	150 1/4W ▲	R626	ERDS2TJ334T	330K 1/4W
R408	ERDS2TJ223T	22K 1/4W	R527	ERDS1FVJ182T	1.8K 1/2W ▲	R627	ERDS2TJ333T	33K 1/4W
R411	ERDS2TJ392T	3.9K 1/4W	R529	ERDS2TJ151T	150 1/4W	R628	ERDS2TJ333T	33K 1/4W
R412	ERDS2TJ392T	3.9K 1/4W	R530	ERDS1FVJ332T	3.3K 1/2W ▲	R629	ERDS2TJ182T	1.8K 1/4W
R413	ERDS2TJ102T	1K 1/4W	R531	ERDS2TJ103T	10K 1/4W	R630	ERDS2TJ182T	1.8K 1/4W
R414	ERDS2TJ102T	1K 1/4W	R533	ERDS1FVJ330T	33 1/2W ▲	R631	ERDS2TJ334T	330K 1/4W
R415	ERDS2TJ471T	470 1/4W	R534	ERDS1FVJ820T	82 1/2W ▲	R632	ERDS2TJ184T	180K 1/4W
R416	ERDS2TJ471T	470 1/4W	R535	ERDS1FVJ820T	82 1/2W ▲	R633	ERDS2TJ563T	56K 1/4W
R419	ERDS2TJ102T	1K 1/4W	R536	ERDS1FVJ820T	82 1/2W ▲	R634	ERDS2TJ393T	39K 1/4W
R420	ERDS2TJ102T	1K 1/4W	R538	ERDS2TJ151T	150 1/4W	R635	ERDS2TJ153T	15K 1/4W
R421	ERDS2TJ151T	150 1/4W	R539	ERDS2TJ332T	3.3K 1/4W	R636	ERDS2TJ103T	10K 1/4W
R422	ERDS2TJ151T	150 1/4W	R540	ERDS2TJ820T	82 1/4W	R637	ERDS2TJ823T	82K 1/4W

Ref. No.	Part No.	Values & Remarks	Ref. No.	Part No.	Values & Remarks	Ref. No.	Part No.	Values & Remarks
R638	ERDS2TJ563T	56K 1/4W	R696	ERDS2TJ104T	100K 1/4W	C156	ECEA1CKA100B	10 16V
R639	ERDS2TJ182T	1.8K 1/4W	R697	ERDS2TJ103T	10K 1/4W	C157	ECBT1H681KB5	680P 50V
R640	ERDS2TJ182T	1.8K 1/4W	R698	ERDS2TJ104T	100K 1/4W	C158	ECBT1H681KB5	680P 50V
R641	ERDS2TJ333T	33K 1/4W				C159	ECBT1C682KR5	6800P 16V
R642	ERDS2TJ333T	33K 1/4W			CAPACITORS	C160	ECBT1C682KR5	6800P 16V
R643	ERDS2TJ103T	10K 1/4W	C101	ECBT1H821KB5	820P 50V	C161	ECEA1CU101B	100 16V
R644	ERDS2TJ472T	4.7K 1/4W	C102	ECBT1H821KB5	820P 50V	C162	ECEA0JU471B	470 6.3V
R645	ERDS2TJ106T	10M 1/4W	C104	ECFR1C223MR	0.022 16V	C163	ECEA1HKA010B	1 50V
R646	ERDS2TJ820T	82 1/4W	C105	ECBT1H471KB5	470P 50V	C164	ECEA1HKA010B	1 50V
R647	ERDS2TJ104T	100K 1/4W	C106	ECBT1H471KB5	470P 50V	C165	ECEA1CKA100B	10 16V
R648	ERDS2TJ104T	100K 1/4W	C108	ECEA1AU330B	33 10V	C166	ECEA1CKA100B	10 16V
R649	ERDS2TJ102T	1K 1/4W	C109	ECEA1AU101B	100 10V	C167	ECEA50ZR68B	0.68 50V
R650	ERDS2TJ102T	1K 1/4W	C110	ECFR1E104ZF5	0.1 25V	C168	ECEA50ZR68B	0.68 50V
R651	ERDS2TJ102T	1K 1/4W	C111	ECBT1H331KB5	330P 50V	C169	ECEA1EU4R7B	4.7 25V
R652	ERDS2TJ331T	330 1/4W	C112	ECBT1H331KB5	330P 50V	C170	ECEA1EU4R7B	4.7 25V
R653	ERDS2TJ472T	4.7K 1/4W	C113	ECEA0JU221B	220 6.3V	C171	ECEA1CKA100B	10 16V
R655	ERDS2TJ104T	100K 1/4W	C114	ECEA0JU221B	220 6.3V	C172	ECEA1CU220B	22 16V
R656	ERDS2TJ104T	100K 1/4W	C115	ECFR1C333JR	0.033 16V	C173	ECBT1C103MS5	0.01 16V
R660	ERDS2TJ184T	180K 1/4W	C116	ECFR1C333JR	0.033 16V	C174	ECEA1EU4R7B	4.7 25V
R661	ERDS2TJ682T	6.8K 1/4W	C117	ECEA1HKA010B	1 50V	C175	ECEA1CU101B	100 16V
R662	ERDS2TJ682T	6.8K 1/4W	C118	ECEA1HKA010B	1 50V	C176	ECQV1H473JZ3	0.047 50V
R663	ERDS2TJ182T	1.8K 1/4W	C119	ECEA1EU4R7B	4.7 25V	C177	ECBT1H102KB5	1000P 50V
R664	ERDS2TJ182T	1.8K 1/4W	C120	ECEA1EU4R7B	4.7 25V	C178	ECBT1H102KB5	1000P 50V
R665	ERDS2TJ123T	12K 1/4W	C121	ECEA1HKA010B	1 50V	C179	ECBT1C103MS5	0.01 16V
R666	ERDS2TJ123T	12K 1/4W	C122	ECEA1HKA010B	1 50V	C180	ECFR1C103MR	0.01 16V
R667	ERDS2TJ122T	1.2K 1/4W	C123	ECBT1H102KB5	1000P 50V	C181	ECBT1C103MS5	0.01 16V
R668	ERDS2TJ271T	270 1/4W	C124	ECBT1H102KB5	1000P 50V	C182	ECEA1EU4R7B	4.7 25V
R669	ERDS2TJ123T	12K 1/4W	C125	ECFR1C473MR	0.047 16V	C183	ECQV1H474JZ3	0.47 50V
R670	ERDS2TJ102T	1K 1/4W	C126	ECFR1C473MR	0.047 16V	C184	ECQP1152JZ	1500P 100V
R671	ERDS2TJ820T	82 1/4W	C127	ECBT1C332MR5	3300P 16V	C185	ECQP1472JZT	4700P 100V
R672	ERDS2TJ820T	82 1/4W	C128	ECBT1C332MR5	3300P 16V	C186	ECEA1AU470B	47 10V
R673	ERDS2TJ820T	82 1/4W	C129	ECBT1H151KB5	150P 50V	C187	ECBT1H471KB5	470P 50V
R674	ERDS2TJ820T	82 1/4W	C130	ECBT1H151KB5	150P 50V	C188	ECBT1H471KB5	470P 50V
R675	ERDS2TJ820T	82 1/4W	C131	ECBT1H221KB5	220P 50V	C189	ECQP1272JZ	2700P 100V
R676	ERDS2TJ820T	82 1/4W	C132	ECBT1H221KB5	220P 50V	C190	ECBT1C103MS5	0.01 16V
R677	ERDS2TJ820T	82 1/4W	C133	ECEA1HKS010B	1 50V	C201	ECEA1CU101B	100 16V
R678	ERDS2TJ820T	82 1/4W	C134	ECEA1HKA010B	1 50V	C202	ECFR1E104ZF5	0.1 25V
R679	ERDS2TJ102T	1K 1/4W	C137	ECFR1C183KR	0.018 16V	C302	ECBT1E103ZF5	0.01 25V
R680	ERDS2TJ104T	100K 1/4W	C138	ECFR1C183KR	0.018 16V	C303	ECBT1E103ZF5	0.01 25V
R681	ERDS2TJ104T	100K 1/4W	C139	ECEA1HU2R2B	2.2 50V	C305	ECBT1C682KR5	6800P 16V
R682	ERDS2TJ104T	100K 1/4W	C140	ECEA1CKA100B	10 16V	C306	ECBT1C682KR5	6800P 16V
R683	ERDS2TJ104T	100K 1/4W	C141	ECEA1HU0R1B	0.1 50V	C307	ECBT1C222KR5	2200P 16V
R684	ERDS2TJ104T	100K 1/4W	C142	ECFR1C223MR	0.022 16V	C308	ECBT1C222KR5	2200P 16V
R685	ERDS2TJ104T	100K 1/4W	C143	ECEA1HKA010B	1 50V	C309	ECFR1C223KR	0.022 16V
R686	ERDS2TJ103T	10K 1/4W	C144	ECEA1HKA010B	1 50V	C310	ECFR1C223KR	0.022 16V
R687	ERDS2TJ102T	1K 1/4W	C145	ECEA1CKA100B	10 16V	C311	ECBT1C682KR5	6800P 16V
R688	ERDS2TJ102T	1K 1/4W	C146	ECEA1CKA100B	10 16V	C312	ECBT1C682KR5	6800P 16V
R689	ERDS2TJ104T	100K 1/4W	C150	ECEA1AU470B	47 10V	C313	ECEA1HKA0R1B	0.1 50V
R690	ERDS2TJ104T	100K 1/4W	C151	ECEA1HKA010B	1 50V	C314	ECEA1HKA0R1B	0.1 50V
R691	ERDS2TJ104T	100K 1/4W	C152	ECEA1HKA010B	1 50V	C315	ECFR1C333KR	0.033 16V
R692	ERDS2TJ104T	100K 1/4W	C153	ECBT1H102KB5	1000P 50V	C316	ECFR1C333KR	0.033 16V
R693	ERDS2TJ104T	100K 1/4W	C154	ECBT1H102KB5	1000P 50V	C317	ECEA1HKR15B	0.15 50V
R694	ERDS2TJ104T	100K 1/4W	C155	ECEA1CKA100B	10 16V	C318	ECEA1HKR15B	0.15 50V
R695	ERDS2TJ104T	100K 1/4W				C319	ECFR1C823MR	0.082 16V

Ref. No.	Part No.	Values & Remarks	Ref. No.	Part No.	Values & Remarks	Ref. No.	Part No.	Values & Remarks
C320	ECFR1C823MR	0.082 16V	C378	ECBT1E103ZF5	0.01 25V	C531	ECKR1H103ZF5	0.01 50V $\Delta$
C321	ECBT1E103ZF5	0.01 25V	C379	ECBT1E103ZF5	0.01 25V	C532	ECBA0JU101B	100 6.3V
C322	ECBT1H102KB5	1000P 50V	C380	ECEA1CKA100B	10 16V	C533	ECKR1H103ZF5	0.01 50V $\Delta$
C323	ECBT1H101KB5	100P 50V	C381	ECFR1C473KR	0.047 16V	C535	ECEA1CU101B	100 16V $\Delta$
C324	ECEA1AU471B	470 10V	C389	ECBT1E103ZF5	0.01 25V	C536	ECKR1H103ZF5	0.01 50V $\Delta$
C325	ECEA1CKA100B	10 16V	C390	ECEA1CKA100B	10 16V	C537	ECEA1CKA101B	100 16V $\Delta$
C326	ECEA1CKA100B	10 16V	C391	ECEA1AKA101B	100 10V	C538	ECKR1H103ZF5	0.01 50V $\Delta$
C327	ECBT1C152MR5	1500P 16V	C392	ECEA1HKA2R2B	2.2 50V	C539	ECKR1H103ZF5	0.01 50V
C328	ECBT1C152MR5	1500P 16V	C393	ECEA1HKAR68B	0.68 50V	C540	ECKR1H103ZF5	0.01 50V(EG)
C329	ECBT1H681KB5	680P 50V	C394	ECEA1HKAR68B	0.68 50V	C541	ECEA1HU332UE	3300 50V
C330	ECBT1H681KB5	680P 50V	C395	ECEA1HKAR68B	0.68 50V	C542	ECEA1HU332UE	3300 50V
C331	ECEA1HKAR47B	0.47 50V	C396	ECEA1HKAR68B	0.68 50V	C543	ECKR1H103ZF5	0.01 50V(EG)
C332	ECEA1HKAR47B	0.47 50V	C399	ECEA1HKA4R7B	4.7 50V	C544	ECKR1H103ZF5	0.01 50V(EG)
C333	ECEA1HKAR22B	0.22 50V	C400	ECEA1HKA4R7B	4.7 50V	C547	ECEA1HKA220B	22 50V
C334	ECEA1HKAR22B	0.22 50V	C401	ECEA1HKA4R7B	4.7 50V	C548	ECKR1H103ZF5	0.01 50V
C335	ECFR1C123KR	0.012 16V	C402	ECEA1HKA4R7B	4.7 50V	C549	ECEA1HU101B	100 50V
C336	ECFR1C123KR	0.012 16V	C403	ECBT1C332KR5	3300P 16V	C550	ECQE1224KZ	0.22 100V
C337	ECEA1HKA2R2B	2.2 50V	C404	ECBT1C332KR5	3300P 16V	C551	ECBT1H101KB5	100P 50V(EG)
C338	ECEA1HKA2R2B	2.2 50V	C405	ECEA1CKA100B	10 16V	C552	ECBT1H101KB5	100P 50V(EG)
C339	ECEA1CKA100B	10 16V	C406	ECEA1CKA100B	10 16V	C553	ECKR1H103ZF5	0.01 50V(E,EB,GN)
C340	ECEA1CKA100B	10 16V	C410	ECEA1HKA010B	1 50V	C553	ECKR1H223ZF5	0.022 50V(EG)
C341	ECBT1H820KB5	82P 50V	C411	ECEA1CKA100B	10 16V	C554	ECKR1H103ZF5	0.01 50V(E,EB,GN)
C342	ECBT1H820KB5	82P 50V	C412	ECEA1CKA100B	10 16V	C554	ECKR1H223ZF5	0.022 50V(EG)
C343	ECBT1H102KB5	1000P 50V	C421	ECBT1H101KB5	100P 50V	C555	ECBT1H101KB5	100P 50V(EG)
C344	ECBT1H102KB5	1000P 50V	C422	ECBT1H101KB5	100P 50V	C556	ECBT1H101KB5	100P 50V(EG)
C347	ECBT1H101KB5	100P 50V	C423	ECBT1H181KB5	180P 50V	C557	ECBT1H101KB5	100P 50V(EG)
C348	ECBT1H101KB5	100P 50V	C424	ECBT1H181KB5	180P 50V	C559	ECBT1C103MS5	0.01 16V(EG)
C349	ECBT1H101KB5	100P 50V	C501	ECEA1HKA0R1B	0.1 50V	C561	ECBT1H101KB5	100P 50V(EG)
C350	ECBT1H101KB5	100P 50V	C502	ECEA1HKA0R1B	0.1 50V	C562	ECBT1H101KB5	100P 50V(EG)
C351	ECEA1HKA010B	1 50V	C503	ECBT1H331KB5	330P 50V	C601	ECEA1HKS3R3B	3.3 50V
C352	ECEA1HKA010B	1 50V	C504	ECBT1H331KB5	330P 50V	C602	ECEA1HKS3R3B	3.3 50V
C353	ECEA1HKA010B	1 50V	C505	ECBT1H821KB5	820P 50V	C603	ECEA1HKS010B	1 50V
C354	ECEA1HKA010B	1 50V	C506	ECBT1H821KB5	820P 50V	C604	ECBA0JKA101B	100 6.3V
C355	ECEA1CKA100B	10 16V	C507	ECBT1H150J5	15P 50V	C605	ECBT1H102KB5	1000P 50V
C356	ECEA1CKA100B	10 16V	C508	ECBT1H150J5	15P 50V	C606	ECBT1H561KB5	560P 50V
C357	ECBT1H391KB5	390P 50V	C509	ECEA1HU330B	33 50V	C607	ECBT1H561KB5	560P 50V
C358	ECBT1H391KB5	390P 50V	C510	ECEA2AU100B	10 100V	C608	ECBT1H561KB5	560P 50V
C359	ECBA0JKA101B	100 6.3V	C511	ECKR1H473ZF5	0.047 50V	C609	ECEA0JKS470B	47 6.3V
C360	ECBA0JKA101B	100 6.3V	C512	ECKR1H473ZF5	0.047 50V	C610	ECBA0JU102B	1000 6.3V
C361	ECBT1H271KB5	270P 50V	C513	ECEA1HKA010B	1 50V	C611	ECBT1H102KB5	1000P 50V
C362	ECBT1H271KB5	270P 50V	C514	ECEA1HKA010B	1 50V	C612	ECBA0JU102B	1000 6.3V
C363	ECEA1HKAR47B	0.47 50V	C516	ECKR1H103ZF5	0.01 50V $\Delta$	C613	ECEA1AKA220B	22 10V
C364	ECEA1HKAR47B	0.47 50V	C517	ECKR1H103ZF5	0.01 50V $\Delta$	C614	ECBT1C103MS5	0.01 16V
C365	ECFR1C823MR	0.082 16V	C518	ECKR1H103ZF5	0.01 50V $\Delta$	C617	ECBT1C103MS5	0.01 16V
C366	ECBT1C472KR5	4700P 16V	C519	ECKR1H103ZF5	0.01 50V $\Delta$	C619	ECBT1H102KB5	1000P 50V
C367	ECEA1CN100SB	10 16V	C520	ECEA1CU470B	47 16V	C620	ECBT1H102KB5	1000P 50V
C368	ECFR1C223KR	0.022 16V	C521	ECEA1CU221B	220 16V	C621	ECBT1H680J5	68P 50V
C369	ECEA1HKA010B	1 50V	C523	ECBA0JKA101B	100 6.3V	C622	ECBT1H680J5	68P 50V
C370	ECEA1CKA101B	100 16V	C524	ECKR1H103ZF5	0.01 50V	C623	ECBT1H560J5	56P 50V
C371	ECEA1HKA4R7B	4.7 50V	C525	ECKR1H103ZF5	0.01 50V	C624	ECBT1H560J5	56P 50V
C372	ECEA1CKA100B	10 16V	C526	ECEA1HKA220B	22 50V	C625	ECBT1H220JC5	22P 50V
C375	ECBT1H470J5	47P 50V	C528	ECEA1AKA470B	47 10V	C626	ECBT1H180JC5	18P 50V
C376	ECBT1H470J5	47P 50V	C529	ECKR1H103ZF5	0.01 50V	C627	ECEA1HKA2R2B	2.2 50V
C377	ECBT1H470J5	47P 50V	C530	ECEA1HU102E	1000 50V $\Delta$	C628	ECEA1HKA2R2B	2.2 50V

Ref. No.	Part No.	Values & Remarks
C629	ECFR1C183KR	0.018 16V
C630	ECBT1C562KR5	5600P 16V
C631	ECFR1C183KR	0.018 16V
C632	ECBT1C562KR5	5600P 16V
C633	ECBT1C182KR5	1800P 16V
C634	ECBT1H561KB5	560P 50V
C635	ECBT1C182KR5	1800P 16V
C636	ECBT1H561KB5	560P 50V

Ref. No.	Part No.	Values & Remarks
C637	ECEA1HKA2R2B	2.2 50V
C638	ECEA1HKA2R2B	2.2 50V
C639	ECBT0J223NS5	0.022 6.3V
C640	ECEA1HKS2R2B	0.22 50V
C641	ECBT1C103MS5	0.01 16V
C642	ECBT1H101KB5	100P 50V
C643	ECBT1H101KB5	100P 50V
C644	ECEA1HKS33B	0.33 50V

Ref. No.	Part No.	Values & Remarks
C645	ECBT1H220JC5	22P 50V
C646	ECBT1H220JC5	22P 50V
C647	ECBT1H220J5	22P 50V
C651	ECBT1H331KB5	330P 50V
C652	ECBT1H331KB5	330P 50V
C951	ECBT1H101KB5	100P 50V
C971	ECBT1H101KB5	100P 50V

## PACKING MATERIALS & ACCESSORIES

Notes: \* Important safety notice:  
 Components identified by  $\Delta$  mark have special characteristics important for safety.  
 Furthermore, special parts which have purposes of fire-retardant (resistors), high-quality sound (capacitors), low noise (resistors), etc are used.  
 When replacing any of these components, be sure to use only manufacturer's specified parts shown in the parts list.  
 \* The parenthesized indications in the Remarks columns specify the areas. (Refer to the cover page for area)  
 Parts without these indications can be used for all areas.  
 \* The "(SF)" mark denotes the standard part.  
 \* Remote Control Unit:  
 Supply period for three years from terminal of production.  
 \* [M] Indicates in the Remarks columns indicates parts supplied by MESA.

Ref No.	Part No.	Part Name & Description	Remarks
PACKING MATERIALS			
P1	RPG1937	GIFT BOX	[M] (E, EG)
P1	RPG1938	GIFT BOX	[M] (GN)
P1	RPG1941	GIFT BOX	[M] (EB)
P2	SPSD155	ACCESSORY CASE	
P3	RPF0100	BAG (SET)	[M]
P4	RPN0761	POLYFOAM	[M]
P5	XZB24X33C04	VINYL BAG	
ACCESSORIES			
A1	EUR642181	REMOTE CONTROL UNIT	[M]
A2	RJA0019-2K	AC CORD	(SF) (E, EG) $\Delta$
A2	RJA0036-K	AC CORD	(GN) $\Delta$
A2	VJA0733	AC CORD	(SF) (EB) $\Delta$
A4	RQCB0169	SERVICE CENTER LIST	
A6	RFKSUCH80EK	INSTR MANUAL ASS'Y	[M] (E)
A6	RQT2265-E	INSTRUCTION MANUAL	[M] (EG)
A6	RQT2266-B	INSTRUCTION MANUAL	[M] (EB, GN)
A7	SLA9Z5T	LOOP ANT	[M]
A8	SSA270	FM ANT	(E, EB, EG)
A8	SSA272	FM ANT	[M] (GN)
A9	REX0581	BUS CABLE	[M]
A10	XTN3+12AFZ	SCREW	
A11	RMN0244	ANT HOLDER	
A12	SJP9009	ATTACHMENT PLUG	(EB)

Ref No.	Part No.	Part Name & Description	Remarks

885

# PACKAGING

## SU-CH80 (CASSETTE DECK/AMPLIFIER)

P2 (SPSD155) : ACCESSORY CASE

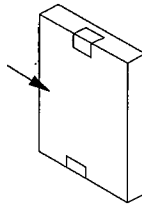
P5 (XZB24X33C04) : VINYL BAG

- A2 (RJA0019-2K) : AC CORD (E, EG)
- (RJA0036-K) : AC CORD (GN)
- (VJA0733) : AC CORD (EB)
- A4 (RQCB0169) : SERVICE CENTER LIST
- A6 (RFKSUCH80EK) : INSTR. MANUAL ASS'Y (E)
- (RQT2265-E) : INSTRUCTION MANUAL (EG)
- (RQT2266-B) : INSTRUCTION MANUAL (EB, GN)
- A8 (SSA270) : FM ANT (E, EB, EG)
- (SSA272) : FM ANT (GN)
- A12 (SJP9009) : ATTACHMENT PLUG (EB)

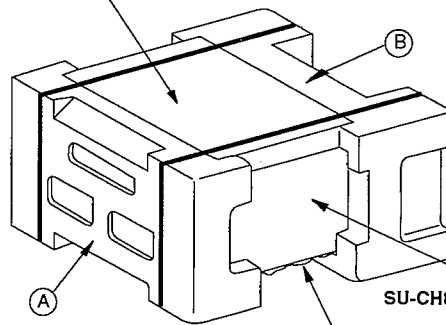
- A1 (EUR642181) : REMOTE CONTROL UNIT
- A9 (REX0581) : BUS CABLE

PREPARED AM LOOP ANT

- A7 (SLA9Z5T) : LOOP ANT
- A10 (XTN3+12AFZ) : SCREW
- A11 (RMN0244) : ANT HOLDER



P2 (SPSD155) : ACCESSORY CASE

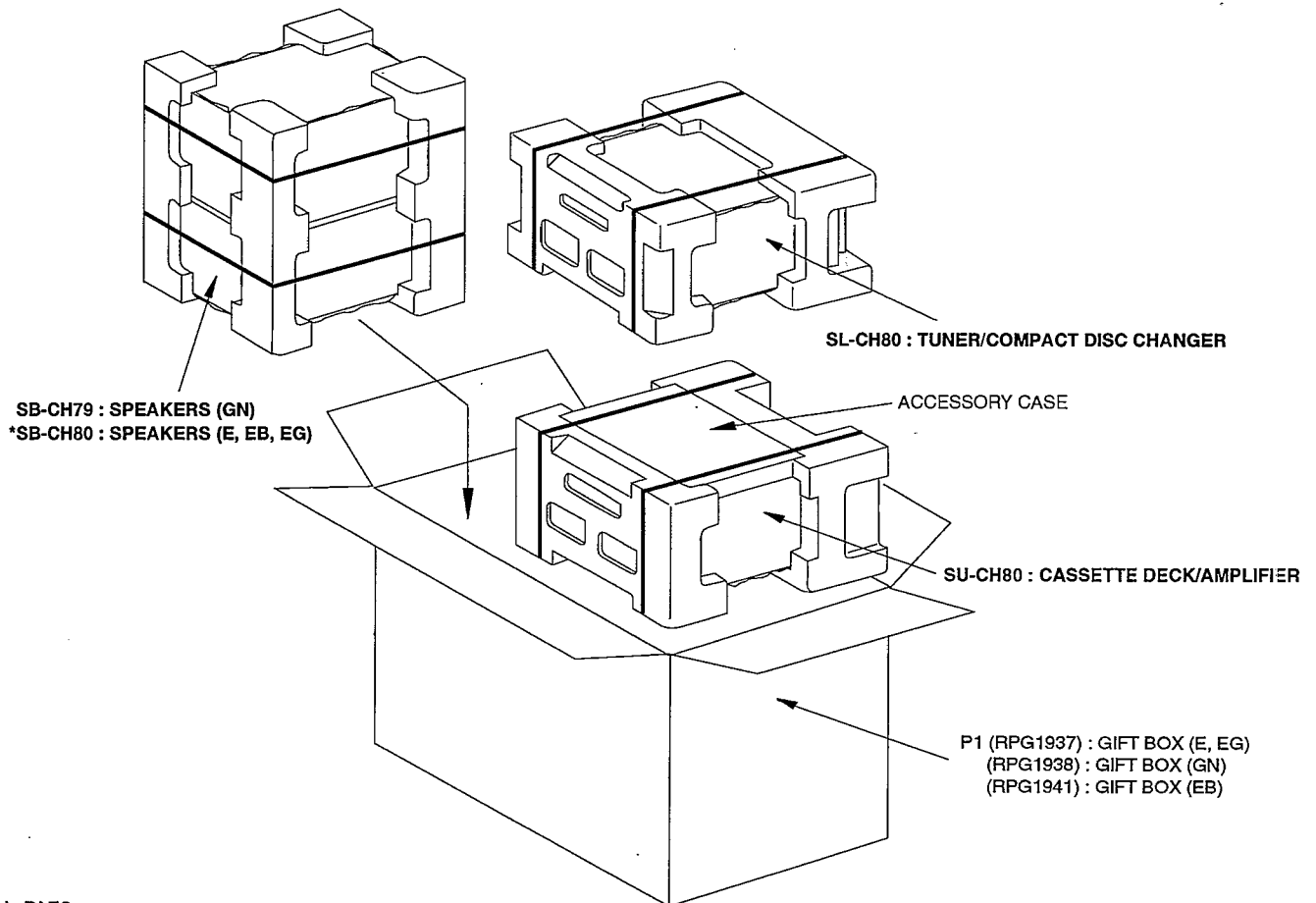


SU-CH80 : CASSETTE DECK/AMPLIFIER

P3 (RPF0100) : BAG (SET)

(A), (B) - P4 (RPN0761) : POLYFOAM

## SC-CH80 (SYSTEM)



\* Made in PAES